

4

3

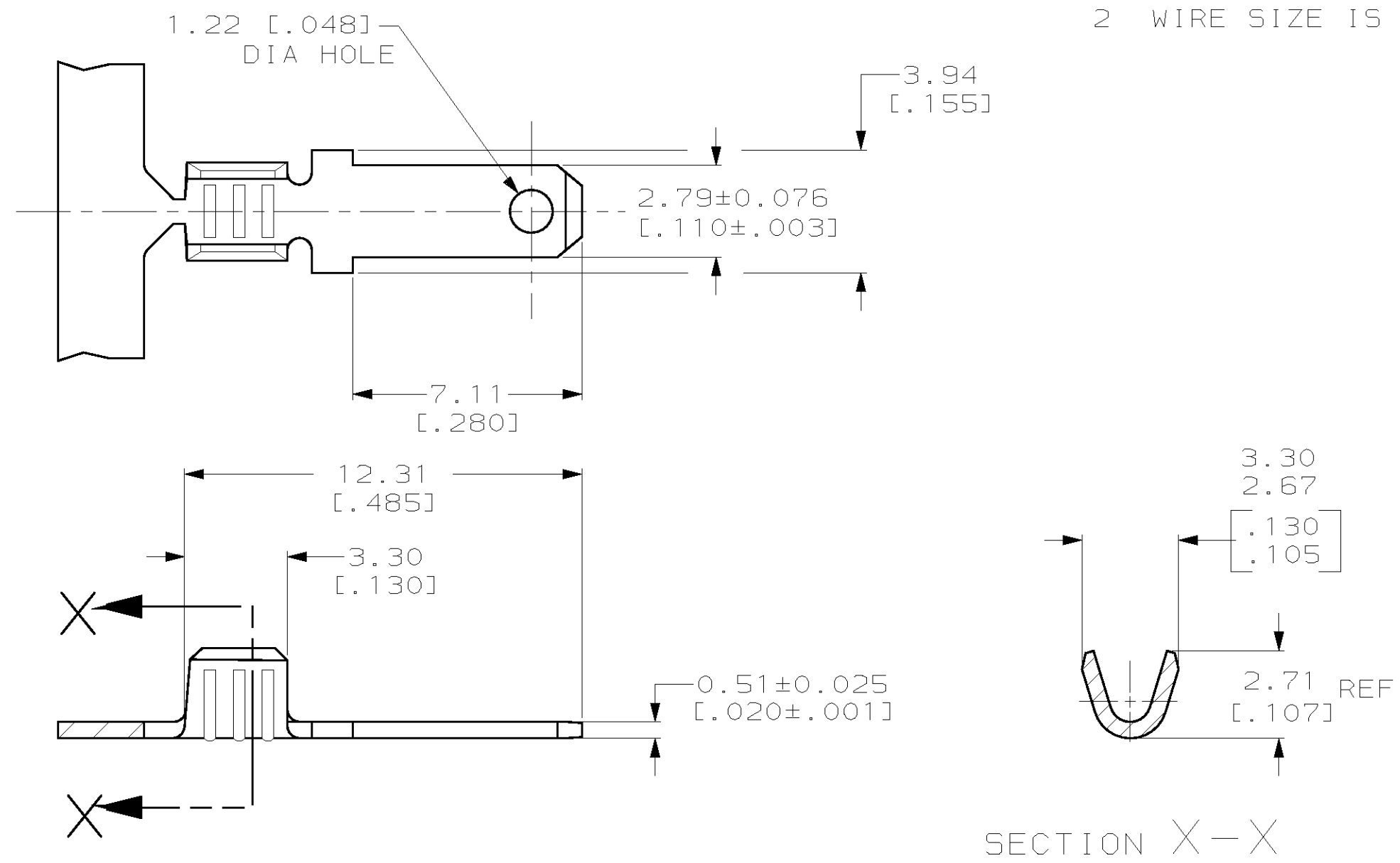
2

1

THIS DRAWING IS UNPUBLISHED. RELEASED FOR PUBLICATION ,19 .
 © COPYRIGHT 19 BY AMP INCORPORATED. ALL RIGHTS RESERVED.

LOC	DIST	REVISIONS			
P	LTR	DESCRIPTION	DATE	DWN	APVD
AF	50	J	REV PER 0G1A-0173-98	6/10/98	JR JW

- 1 CONTINUOUS STRIP ON REELS.
- 2 WIRE SIZE IS [#22-#18] AWG.



62122-1
PART NO.

THIS DRAWING IS A CONTROLLED DOCUMENT.		DWN JR RUTH 8/26/97	AMP AMP Incorporated Harrisburg, PA 17105-3608	
DIMENSIONS: MM [INCHES]		CHK P FORTNEY 8/26/97		
TOLERANCES UNLESS OTHERWISE SPECIFIED:		APVD P DESANTIS 8/26/97	NAME TAB, FASTON, 2.79 [.110] SERIES	
0 PLC ±-		PRODUCT SPEC	SIZE	
1 PLC ±-		APPLICATION SPEC	CAGE CODE	
2 PLC ±0.38 [.015]		WEIGHT	DRAWING NO	
3 PLC ±-		CUSTOMER DRAWING	A3 00779 C- 62122	
4 PLC ±-		SCALE	RESTRICTED TO	
ANGLES ±-		SCALE -	SHEET 1 OF 1	
MATERIAL 082 BRASS	FINISH PRE-TIN	REV J		